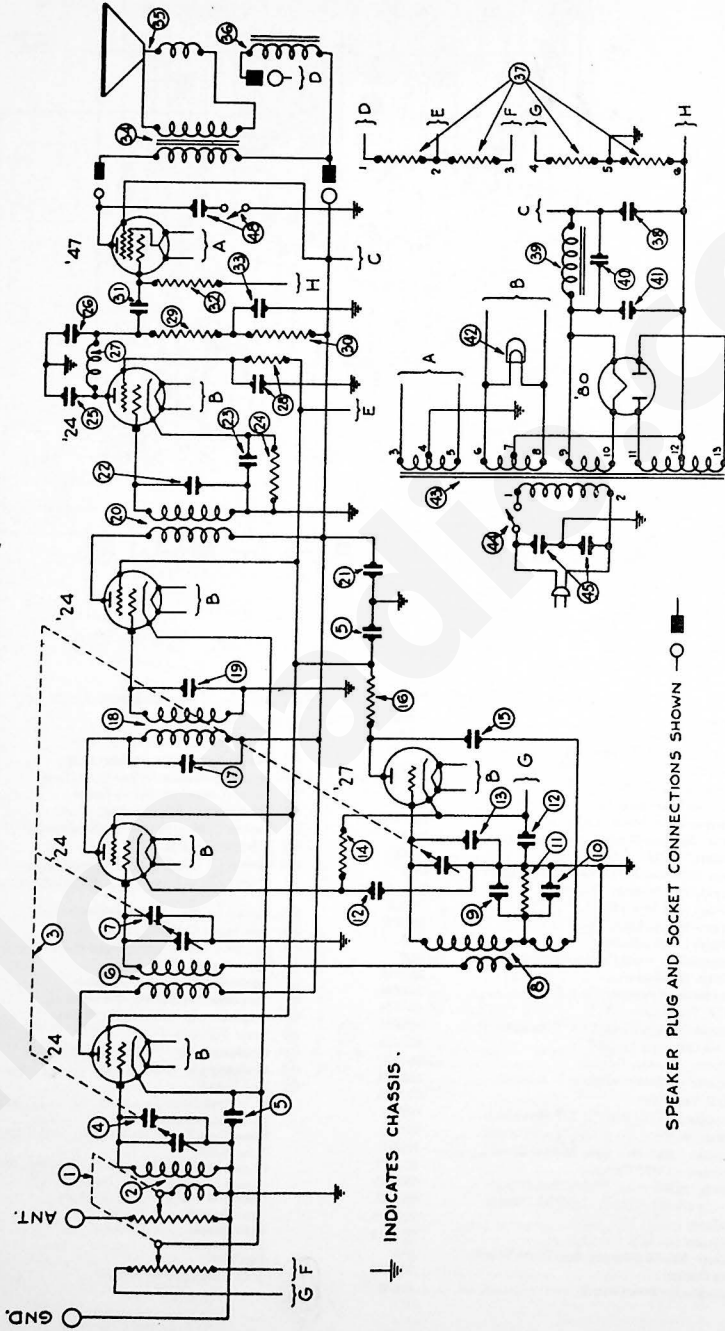


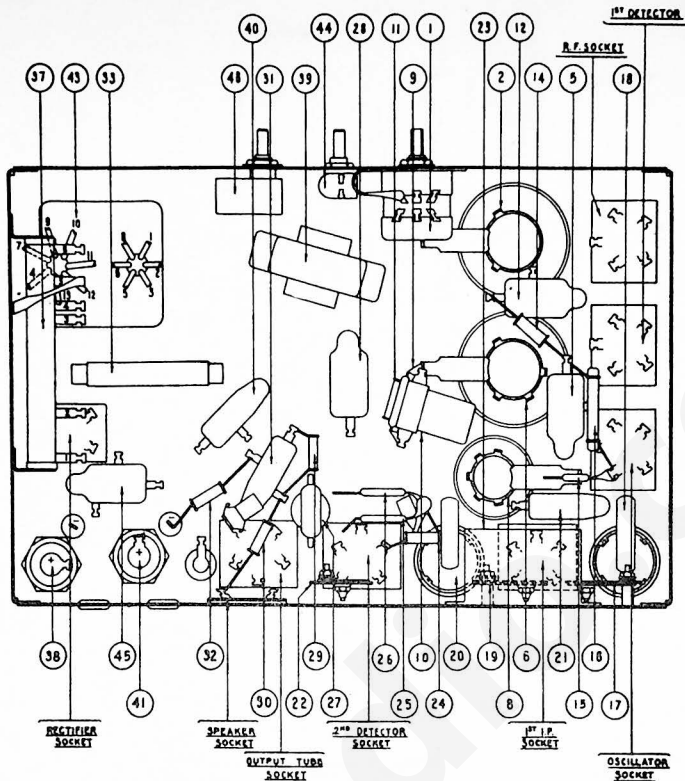
MODELS 70 AND 70-A



⊥ INDICATES CHASSIS.

SPEAKER PLUG AND SOCKET CONNECTIONS SHOWN — ○ —

MODELS 70 AND 70-A



REPLACEMENT PARTS—MODELS 70 AND 70-A

No. on Figs. 3 and 4	Description	Part No.	No. on Figs. 3 and 4	Description	Part No.
①	Volume Control	5039	Ⓜ	Condenser (.01 mfd.)	3903-L
②	R. F. Transformer	03082	Ⓝ	Resistor (240,000 ohms)	4410
③	Tuning Condenser (50-60 cycles)	03076	Ⓞ	Condenser (.25 mfd.)	4284
④	Tuning Condenser (25-40 cycles)	03077	Ⓟ	Output Transformer	2673
⑤	Compensating Condenser— Antenna—(Part of Gang Con- denser Assembly)		Ⓠ	Voice Coil and Cone Assembly	02996
⑥	Condenser (.09 mfd. Double)	4989-C	Ⓡ	Field Coil (Assembled with Pot)	02966
⑦	Detector Transformer	03083	Ⓢ	B. C. Resistor	03079
⑧	Compensating Condenser— Detector—(Part of Gang Con- denser Assembly)		Ⓣ	Electrolytic Condenser (6 mfd.) 50-60 cycles	4916
⑨	Oscillator Coil	03084	Ⓤ	Electrolytic Condenser (10 mfd.) 25-40 cycles	5142
⑩	Condenser (.410 mmf.)	5120	Ⓥ	Choke	4819
⑪	Compensating Condenser—Low Frequency	04000-F	Ⓦ	Condenser (.09 mfd.) 50-60 cycles	4989-J
⑫	Resistor (51,000 ohms)	4518	Ⓧ	Condenser (.18 mfd.) 25-40 cycles	4989-K
⑬	Condenser (.09 mfd. Double)	4989-C	Ⓨ	Electrolytic Condenser (6 mfd.) 50-60 cycles	4916
⑭	Compensating Condenser—High Frequency—(Part of Gang Condenser Assembly)		Ⓩ	Electrolytic Condenser (10 mfd.) 25-40 cycles	5142
⑮	Resistor (5,000 ohms)	5310	ⓐ	Pilot Light	3463
⑯	Condenser (.110 mmf.)	4519	ⓑ	Power Transformer (50-60 cycles)	5117
⑰	Resistor (13,000 ohms)	3766	ⓓ	Power Transformer (25-40 cycles)	5118
⑱	Compensating Condenser—1st I. F. Primary	04000-J	ⓔ	Power Transformer (50-60 cycles, 230 volts)	5119
⑲	First I. F. Transformer	03091	ⓕ	"On-Off" Switch	4095
⑳	Compensating Condenser—1st I. F. Secondary	04000-H	ⓖ	Condenser (.015 mfd. Double)	3793-K
㉑	Second I. F. Transformer	03092	ⓗ	Tube Shield	03067
㉒	Condenser (.05 mfd.)	3615-L	ⓘ	Bezel	5312
㉓	Compensating Condenser—2nd I. F. Secondary	04000-K	ⓙ	Knob (Large)	03064
㉔	Condenser (.5 mfd.)	3583	ⓚ	Knob (Small)	03437
㉕	Resistor (51,000 ohms)	4518	ⓛ	Spring (Small)	4147
㉖	Condenser (500 mmf.)	3910	ⓜ	Spring (Large)	5262
㉗	Condenser (250 mmf.)	3082	ⓝ	Grid Clip	4897
㉘	R. F. Choke	03086	ⓞ	Five Prong Socket Assembly	4956
㉙	Condenser (.09 Combined with 250 ohm Resistor)	4989-E	ⓟ	Four Prong Socket Assembly	4955
㉚	Resistor (240,000 ohms)	4410	ⓠ	Dial Complete	03031
㉛	Resistor (45,000 ohms) 50-60 cycles	5256			
㉜	Resistor (99,000 ohms) 25-40 cycles	4411			